

63 A Smart MCB With Display

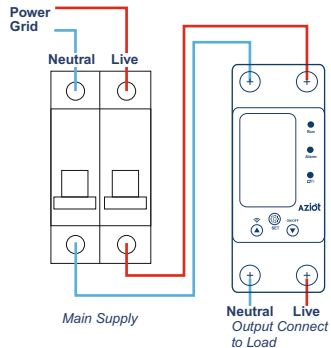


[User Manual](#)

Technical Specs (For Nerds)

Parameter	Specification
Brand	Aziot
Model Number	AZSMCB03
Operating Voltage	90-300V AC
Frequency	50/60Hz
Current Rating	1-63A
Power Monitoring	Yes (Minimum 1A load required for accuracy)
Control Modes	Manual, Mobile App (WiFi), Voice (Alexa & Google Assistant)
App Compatibility	SmartLife (Android & iOS)
Installation	Install between Grid MCB and Load. Live Output must connect to Load Output. Neutral Input is mandatory; Neutral Output is optional.
LED Indicators	RED LED - Network Status Yellow - Device Run Mode
Dimensions	87 x 24 x 67 mm
Settings Password	User Configurable (Default 0000)
Under Voltage Protection Setting	75 - 210 VAC (Default 170)
Over Voltage Protection Setting	130 - 300 VAC (Default 270)
Overcurrent Protection	1 - 63 A (Default 40)
Overload Protection Setting	1 - 14 KW (Default 8)
Auto Power Cutoff	Yes (Trips based on preset thresholds)

Wiring



Let's Set it up

- 1. Power In** – Connect the output from the Grid MCB to the input terminals marked Power on the Smart MCB. **Make sure to connect the Neutral wire here** — it's mandatory to powerup the Smart MCB.
- 2. Load Out** – Connect your load wires to the output terminals marked Load (N and L) on the device. The Live wire must pass through the Smart MCB.
- 3. Neutral Note** – The Neutral connection at the input side is **mandatory** to power on and control the Smart MCB. However, you **don't need to connect the load's Neutral back** to the Smart MCB—it's only used for sensing.


Let's Set it up

1. Download the App – Grab the Smart Life app from the App Store or Google Play. It works on both iOS and Android.



2. Wi-Fi Ready? – Make sure your phone is connected to a 2.4 GHz Wi-Fi network. (5 GHz won't play nice here.)

3. Turn on Location & Bluetooth – Enable both on your phone. The app needs them to discover your device.

4. Power Up & Pair Mode – After installation, press and hold the Up Arrow (Wi-Fi Symbol) button on the product for 5 seconds until Red LED Blinks Rapidly above symbol . *That's your signal—it's ready to pair!*

Let's Set it up

5. Open the Smart Life App – Launch the app and head to the home screen.

6. Start Scanning – Tap the “+” icon in the top right corner and choose Auto Scan. Your device will pop up automatically.

7. Add the Device – Tap the “+” next to the Bluetooth device and select ‘Go to add’ on the prompt.

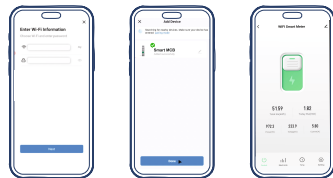


Let's Set it up

8. Wi-Fi Connection – Follow the in-app steps to connect your Smart MCB to your Wi-Fi network.

9. Confirm & Done – Once connected, the app will confirm the setup. Tap ‘Done’ to finish.

10. You're In! – The Smart MCB will now appear in your device list. Time to take control—right from the Smart Life app.



Customer Support

Customer Care : +91 88866 35918
support@aziot.life



Website: www.aziot.life

Follow us on: Aziot.life